

# AI Motorized Pro Bullet Network Camera



IP67

Motorized Lens



DATASHEET

## KEY FEATURES

- ▶ Smart IR II (Combining the High Beam and Low Beam to adjust IR intensity to fit different lighting conditions.)
- ▶ HLC (High Light Compensation. Improving image visibility under strong light sources.)
- ▶ P-Iris (Giving you a more clear scene with depth of view.)
- ▶ Defog (Defog technology. Restoring clear images in hazy and foggy weather.)
- ▶ 256G (Supporting ultra-large external microSD/SDHC/SDXC card storage up to 256G.)
- ▶ Smart Stream (Bandwidth, storage and bit rate are saved with Smart Stream On, eg, H.265+ saves 70%~80% bandwidth that of H.264.)

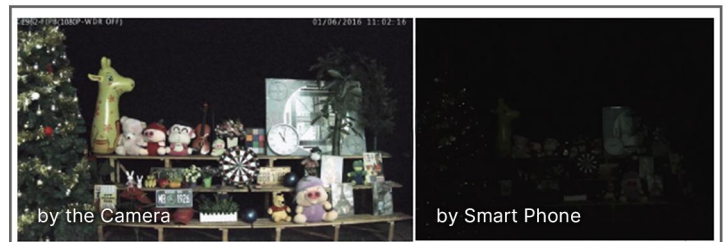
## AI Video Analytics

- 8 intelligent VCA modes powered by AI engine, which can intelligently filter objects to focus on human and vehicle detection.
- People Counting technology provides high accuracy and real-time data based on AI algorithm with statistic reports.
- Face Detection function detects human faces in the monitoring scene and captures the snapshots, which greatly enhances the monitoring efficiency.



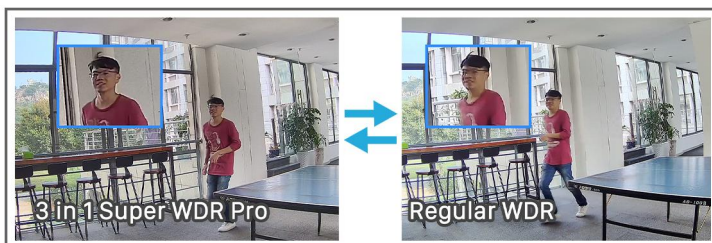
## 0.005Lux Ultra Low-light

The starlight camera is able to deliver high detailed color images even in low light environment reaching 0.005Lux(Color) or 0Lux(B/W), and near infrared light environments without any supplementary lighting.



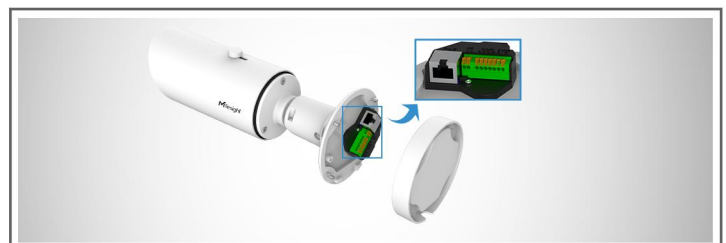
## 3 in 1 Super WDR Pro - 140dB

The upgraded 3 in 1 Super WDR Pro outputs three frames each line, which is able to bring more details especially moving subjects. What's more, it greatly improves image quality for reducing smear and noisy points. The ratio that the brightest light signal values divided by the darkest light signal values is up to 140dB.



## Integrated Cable Management Bracket

In the base support, there are power interface, PoE port, Audio I/O and Alarm I/O interfaces. Thanks to the Integrated Cable Management, it takes no effort in installation. Besides, the creative clamshell design minimizes the installation troubles and enlarges the space to make cable connection a piece of cake.



# AI Motorized Pro Bullet Network Camera



	Model	MS-C2962-R(T)F(I)PC (2MP)	MS-C5362-F(I)PC (5MP)	MS-C8162-F(I)PC (4K)
Camera	Image Sensor	1/2.8" Progressive Scan CMOS		
	Min. Illumination	Color: 0.005Lux@F1.4 B/W: 0Lux with IR on	Color: 0.008Lux@F1.4 B/W: 0Lux with IR on	Color: 0.012Lux@F1.4 B/W: 0Lux with IR on
	WDR	140dB Super WDR <b>(Super WDR Pro is optional for T Series)</b>	120dB Super WDR	
	Shutter Time	1/100000s~1s		
	IR Distance	Up to 60m(3.0~10.5mm/2.7~13.5mm) Up to 100m(7~22mm)		Up to 60m
	Day/Night Mode	Day/Night/Auto/Customize/Schedule		
	S/N	>55dB		
Lens	Lens	Motorized 2.7~13.5mm/3.0~10.5mm/7~22mm@F1.4 P-Iris(Optional)		Motorized 2.7~13.5mm@F1.4 P-Iris(Optional)
	Field of View	H92°~H32°/D107°~D37° /V51°~V18° (2.7~13.5mm) H93°~H33°/D107°~D38° /V52°~V18° (3.0~10.5mm) H40°~H16°/D46°~D19° /V23°~V9° (7~22mm)	H89°~H30°/D111°~D37° /V66°~V22° (2.7~13.5mm) H90°~H31°/ D114°~D38° / V67°~V23°(3.0~10.5mm) H37°~H15°/D47°~D19° /V28°~V11° (7~22mm)	H96°~H33°/D112°~D37°/V53°~V18°
	Mount	Φ14		
	Focus Control	Auto/Manual		
	Iris Control (Optional for I Series)	Auto/Manual		
Video	Max. Image Resolution	1920x1080	2592x1944	3840x2160
	Primary Stream	60Hz: <b>100fps@(1920x1080)(Optional for T Series)</b> , 60fps@(1920x1080, 1280x960, 1280x720, 704x576) 50Hz: <b>100fps@(1920x1080)(Optional for T Series)</b> , 50fps@(1920x1080, 1280x960, 1280x720, 704x576)	60Hz: 30fps@(2592x1944), 45fps@(2048x1536), 60fps@(1920x1080, 1280x960, 1280x720, 704x576) 50Hz: 25fps@(2592x1944), 45fps@(2048x1536), 50fps@(1920x1080, 1280x960, 1280x720, 704x576)	60Hz: 30fps@(3840x2160, 3072x2048, 2592x1944, 2592x1520, 2048x1536, 1920x1080, 1280x960, 1280x720, 704x576) 50Hz: 25fps@(3840x2160, 3072x2048, 2592x1944, 2592x1520, 2048x1536, 1920x1080, 1280x960, 1280x720, 704x576)
	Secondary Stream	60Hz: 60fps@(704x576, 640x480, 640x360, 352x288, 320x240, 320x192, 320x180) 50Hz: 50fps@(704x576, 640x480, 640x360, 352x288, 320x240, 320x192, 320x180)	60Hz: 30fps@(704x576, 640x480, 640x360, 352x288, 320x240, 320x192, 320x180) 50Hz: 25fps@(704x576, 640x480, 640x360, 352x288, 320x240, 320x192, 320x180)	60Hz: 30fps@(704x576, 640x480, 640x360, 352x288, 320x240, 320x192, 320x180) 50Hz: 25fps@(704x576, 640x480, 640x360, 352x288, 320x240, 320x192, 320x180)
	Tertiary Stream	60Hz: 30fps@(1920x1080, 1280x720, 704x576, 640x480, 640x360, 320x240, 320x192, 320x180) 50Hz: 25fps@(1920x1080, 1280x720, 704x576, 640x480, 640x360, 320x240, 320x192, 320x180)		
	Video Compression	H.265+/H.265(HEVC)/H.264+/H.264/MJPEG		
	Video Bit Rate	16Kbps~16Mbps(CBR/VBR Adjustable)		
	Privacy Masking	Up to 28 areas(24 mask areas and 4 mosaic areas)		
	ROI	Up to 8 areas		
	Image Setting	Brightness/Contrast/Saturation/Sharpness		

# AI Motorized Pro Bullet Network Camera

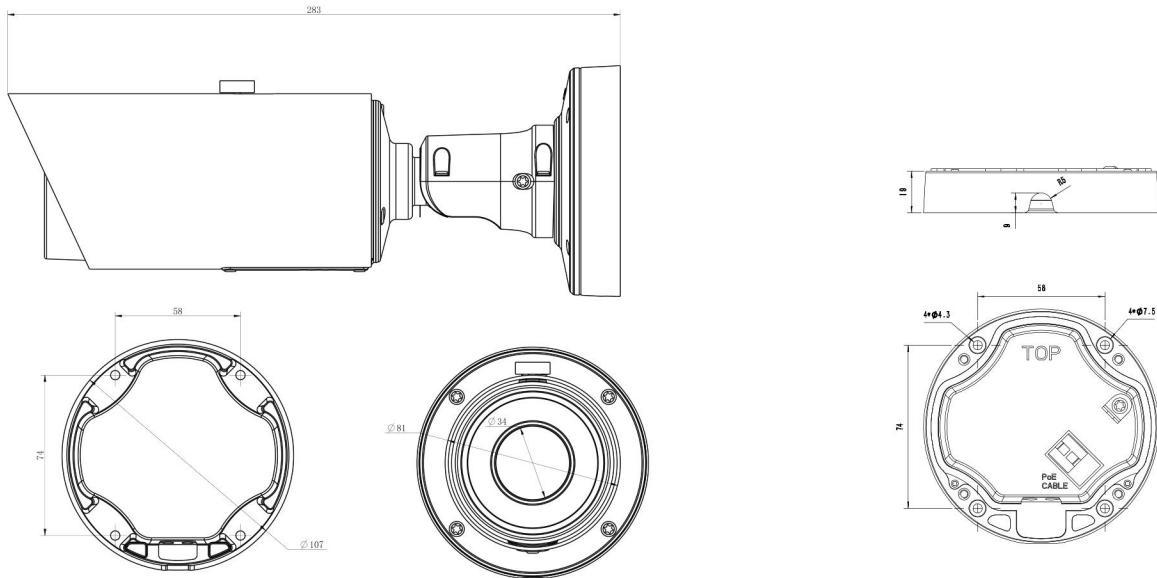
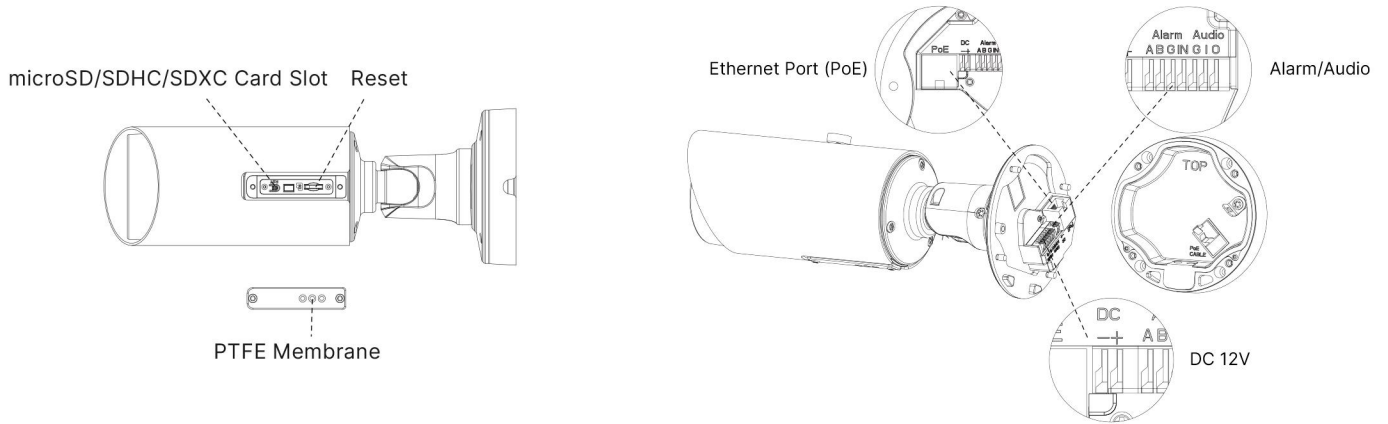


<b>Interface</b>	Ethernet	1*RJ45 10M/100M Ethernet Port		
	Audio I/O	1/1		
	Alarm I/O	1/1		
<b>Network</b>	Network Storage	NAS(Support NFS, SMB/CIFS), ANR		
	Protocol	IPv4/IPv6, ARP, TCP, UDP, RTCP, RTP, RTSP, RTMP, HTTP, HTTPS, DNS, DDNS, DHCP, FTP, NTP, SMTP, SNMP, UPnP, Bonjour, SIP, PPPoE, VLAN, 802.1x, QoS, IGMP, ICMP, SSL		
<b>Audio</b>	Audio Compression	G.711/AAC/G.722/G.726		
	Audio Sampling Rate	8/16/32/44.1/48KHz		
	Audio Bit Rate	16~256kbps		
	Two-way Audio	Support		
<b>Intelligent Analytics</b>	Video Analysis	Region Entrance, Region Exiting, Advanced Motion Detection, Tamper Detection, Line Crossing, Loitering, Object Left, Object Removed		
	Face Detection	Detect and capture faces, get real-time snapshots		
	People Counting&Report	Count the number of people entering or exiting, up to 4 detection areas for regional people counting		
<b>System</b>	Storage	microSD/SDHC/SDXC Card Local Storage, up to 256G		
	Advanced Function	Heat Map, BLC, HLC, 2D DNR, 3D DNR, Defog, AWB, EIS, IP Address Filtering, AGC, Anti-flicker, Corridor Mode, Deblur, Watermark		
	SIP/VoIP Support	Yes, Voice & Video-over-IP		
	Event Trigger	Motion Detection, Network Disconnection, External Input, Audio Alarm, etc.		
	Event Action	FTP Upload, SMTP Upload, SD Card Record, External Output, SIP Phone, HTTP Notification, etc.		
	System Compatibility	ONVIF Profile G & Q & S & T, API		
<b>General</b>	Working Temperature	-40°C~60°C		
	Working Humidity	0~90%(Non-condensing)		
	Power Supply	PoE (802.3af) / DC 12V±10%		
	Power Consumption	9W MAX 13W MAX(With IR on)	9W MAX 13W MAX(With IR on)	10W MAX 13W MAX (With IR on)
	Housing	Up to IP67-rated for Weather-resistant Performance		
	Weight	1080g		
	Dimensions	134mmX126mmX285mm		
	Warranty	3/5 Years		

# AI Motorized Pro Bullet Network Camera



## Structure Diagrams



Units: mm

## Accessories Support

A01 Pole Mount

Weight: 720g  
Dimensions: 170\*51.5\*152.6mm



A03 External Corner Bracket

Weight: 900g  
Dimensions: 170\*152.5\*76.3mm



A62 Junction Box

Weight: 510g  
Dimensions: 134\*126\*40mm



**Mlesight Technology** | [www.mlesight.com](http://www.mlesight.com)  
Contact Us: [sales@mlesight.com](mailto:sales@mlesight.com) | [support@mlesight.com](mailto:support@mlesight.com)

Add: 220 NE 51st Street, Oakland Park, Florida 33334, USA  
Tel: +1-800-561-0485

Add: 925, Anyang SK V1 Center, LS-ro 116beon-gil, Dongan-gu, Anvang-si, Korea  
Tel: +82-31-990-7732

Add: Building C09, Software Park Phase III, Xiamen 361024, Fujian, China  
Tel: +86-592-5922772

